



US00D657499S

(12) **United States Design Patent**
Parkins et al.

(10) **Patent No.:** **US D657,499 S**

(45) **Date of Patent:** **** Apr. 10, 2012**

(54) **EARPLUG**

(75) Inventors: **John W. Parkins**, Ithaca, NY (US);
David Parkins, Groton, NY (US); **David L. Fergot**, Syracuse, NY (US); **Douglas M. Russell**, Syracuse, NY (US)

(73) Assignee: **Red Tail Hawk Corporation**, Ithaca, NY (US)

(**) Term: **14 Years**

(21) Appl. No.: **29/383,730**

(22) Filed: **Jan. 21, 2011**

Related U.S. Application Data

(63) Continuation-in-part of application No. 12/832,363, filed on Jul. 8, 2010.

(51) **LOC (9) Cl.** **29-02**

(52) **U.S. Cl.** **D29/112; D24/106**

(58) **Field of Classification Search** D29/100, D29/102, 106, 108, 112, 122; D24/105-109, D24/190, 191; D2/865, 867, 878; 2/455, 2/410, 411, 414, 421, 423, 424, 425, 9, 909, 2/206, 209, 174; 128/857, 864, 866, 867; D14/205

See application file for complete search history.

(56) **References Cited**

U.S. PATENT DOCUMENTS

2,446,707	A	*	8/1948	Leight	128/864
3,047,089	A		7/1962	Zwislocki		
3,125,646	A		3/1964	Lewis		
D245,202	S	*	7/1977	Asker	D24/106
D276,855	S	*	12/1984	Falco	D29/112
D405,880	S	*	2/1999	Brown	D24/106
6,208,740	B1		3/2001	Grever		
6,241,042	B1	*	6/2001	Falco	181/135
D494,956	S	*	8/2004	Sabick et al.	D14/205

D511,381	S	*	11/2005	Chiang	D24/106
D516,058	S	*	2/2006	Garcia	D14/205
D519,103	S	*	4/2006	Sabick et al.	D14/205
D550,200	S	*	9/2007	Drambarean et al.	D14/205
D567,217	S	*	4/2008	Kamo et al.	D14/205
D578,637	S	*	10/2008	Falco	D24/106
D578,638	S	*	10/2008	Falco	D24/106
D578,639	S	*	10/2008	Falco	D24/106
D586,778	S	*	2/2009	Yang	D14/205
D598,894	S	*	8/2009	Masuda et al.	D14/205
D606,972	S	*	12/2009	Schaefer	D14/205
7,697,706	B2	*	4/2010	Doty	381/328
7,743,771	B2	*	6/2010	Falco	128/864
7,793,662	B2	*	9/2010	Elliott	128/864
7,967,015	B2	*	6/2011	Jenkins, Jr.	128/864

OTHER PUBLICATIONS

Van Wiljngaarden et al. "Development of the Wireless 'Communications Earplug' for Application in Military Aviation" J. Audio Eng. Soc., vol. 48, No. 6, Jun. 2000.

* cited by examiner

Primary Examiner — Elizabeth J Oswecki

(74) *Attorney, Agent, or Firm* — Brown & Michaels, PC

(57) **CLAIM**

The ornamental design for earplug, as shown and described.

DESCRIPTION

This invention was made with Government support under SBIR contract N68335-09-C-0003, awarded by the US Navy. The government has certain rights in the invention.

FIG. 1 is a perspective view of an earplug showing our new design.

FIG. 2 is a side view thereof.

FIG. 3 is an opposite side view of FIG. 2.

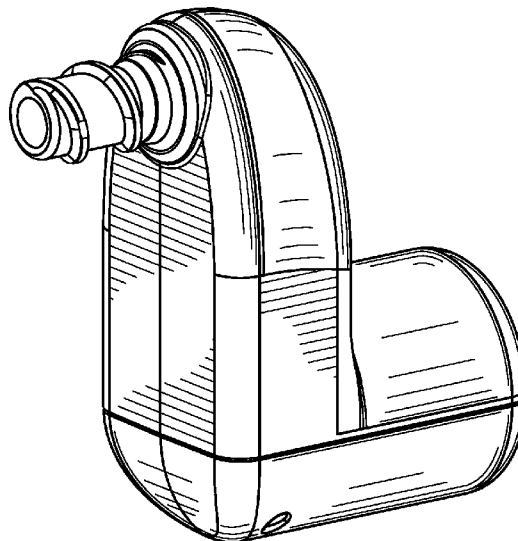
FIG. 4 is another side view thereof.

FIG. 5 is an opposite side view of FIG. 4.

FIG. 6 is a top view thereof; and,

FIG. 7 is a bottom view thereof.

1 Claim, 4 Drawing Sheets



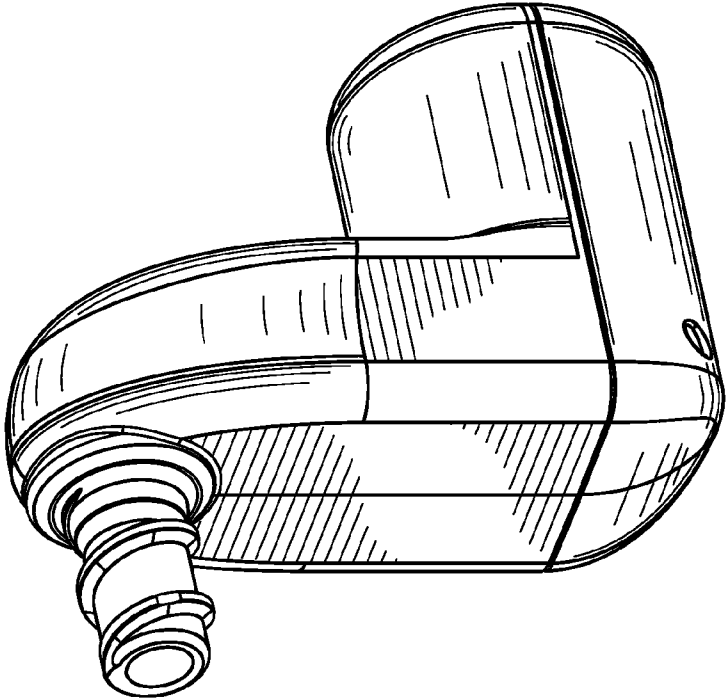


FIG. 1

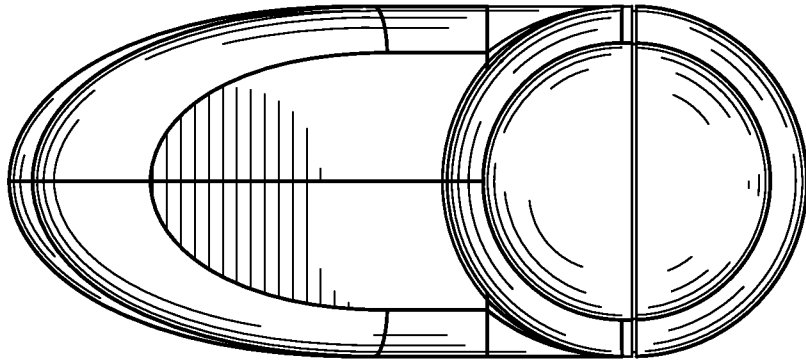


FIG. 3

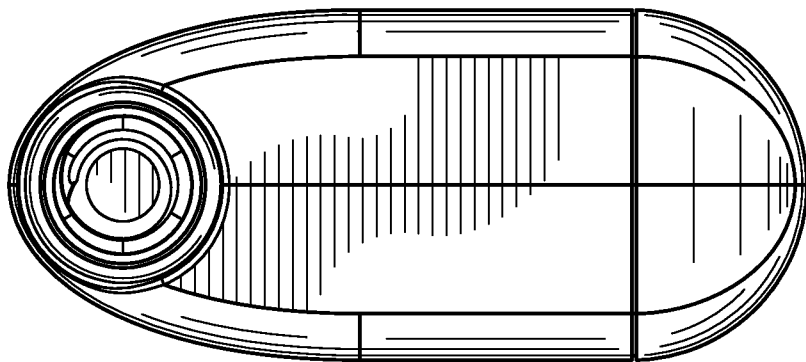


FIG. 2

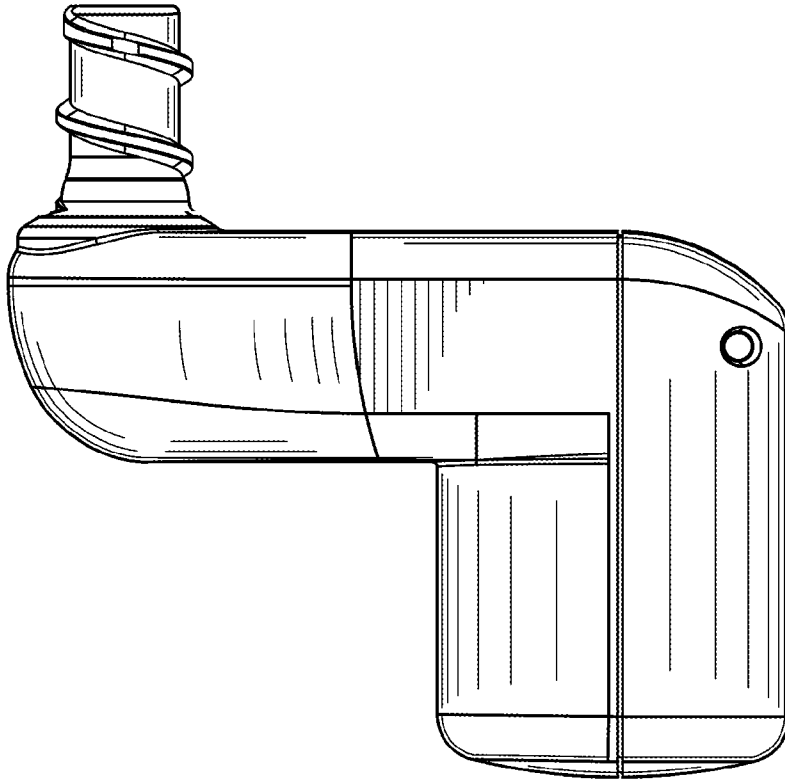


FIG. 5

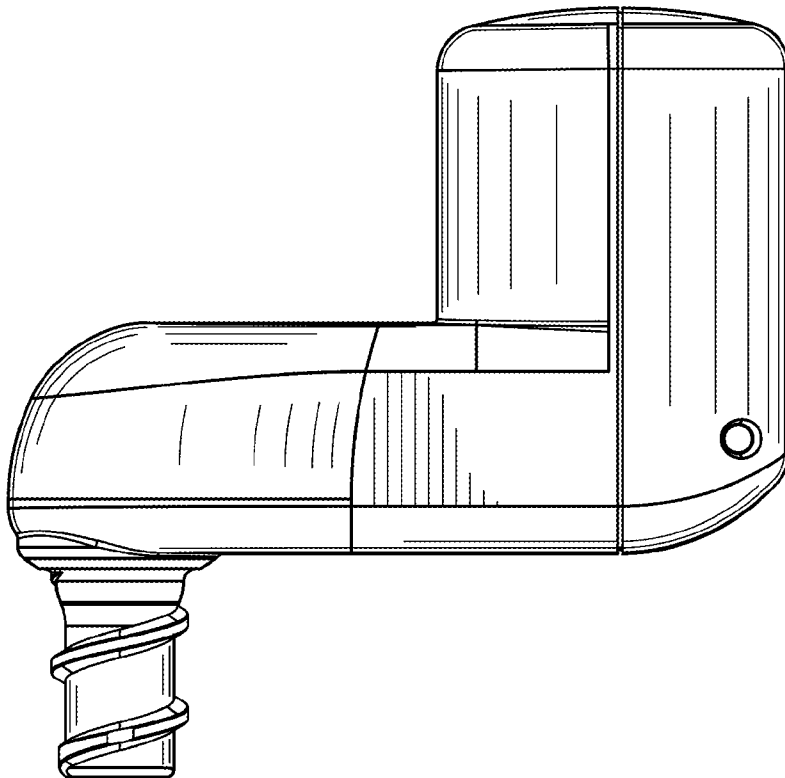


FIG. 4

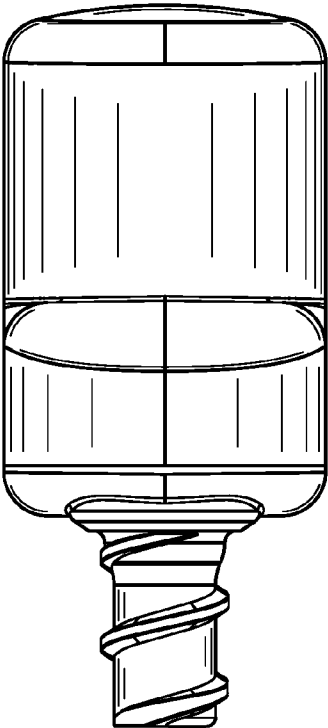


FIG. 6

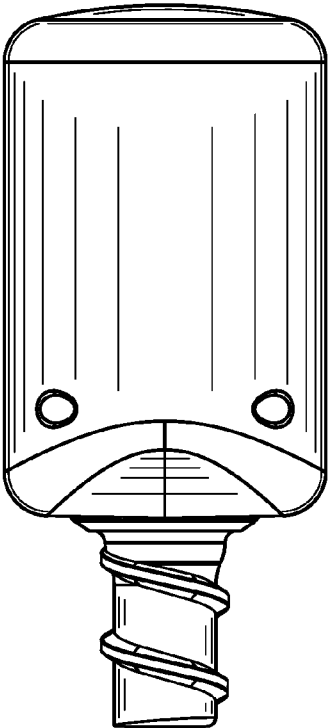


FIG. 7